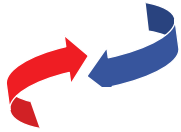




XOWF1000SYS

Advanced Home Water Filtration System
Ideal for Use With Ice Makers

SINGLE STAGE WATER FILTER



**EASY TWIST ON | OFF
REPLACEMENT**



Commercial quality built for your home, ideal for use with ice makers, wet bars and kitchens. This advanced design removes common contaminants such as lead and chlorine from drinking water to deliver healthier better tasting, odor free water.

- Pb**
lead
Meets NSF/ANSI 53 Standards for Lead Reduction up to 99%
- Cl**
chlorine
Delivers Great Tasting Water
Eliminates chlorine taste and odor
- 3000
Filters up to 3000 gallons per year
- sediment
Filters out sediment, rust & dirt to 0.5 microns
- scale
Inhibits scale formation without blocking vital minerals
- cysts
NSF/ANSI Standard 53 Certified to reduce cysts such as Giardia & Cryptosporidium by mechanical means.



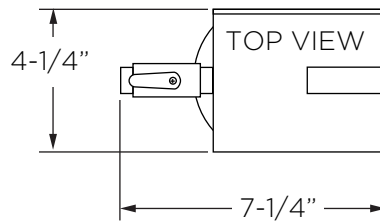
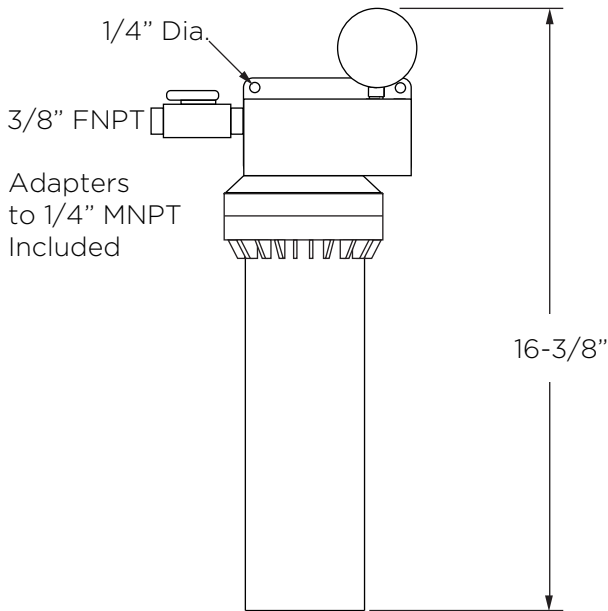
ANSI/NSF International Standards
The Model XOWF1001 (ref: FF-CP10L) has been tested and certified by NSF International against ANSI/NSF Standard 53 for health affects.



WORLD CLASS SERVICE | COMPREHENSIVE WARRANTIES
OUR LASTING COMMITMENT TO YOU

*based on average residential usage less than 3000 gallons

center to center mounting holes



**REPLACEMENT
CARTRIDGE:
XOWF1001**
NSI ref: FF-CP10L

IMPORTANT NOTE:

Cartridges install from below
Keep 2" clearance minimum
beneath the unit



ANSI/NSF International Standards
The Model **XOWF1001** (ref: FF-CP10L) has been tested and certified by NSF International against ANSI/NSF Standard 53 for health effects

FEATURES

FINISH

Food grade polymer construction

FILTER

- Great Tasting Water and Ice
- Commercial quality activated carbon block filtration element (0.5 micron) to remove sediment, lead, chlorine and harmful cysts.
- Reduces Lead by up to 99% **
- Inhibits scale to reduce costly maintenance issues with ice makers and other appliances
- Easy twist on/off filter cartridge replacement without tools
- Pressure gauge included to see when filter replacement is indicated.
- Made in the USA.

SPECIFICATIONS

CONNECTION 3/8" FNPT

MAX PRESSURE 125 PSI

MAX FLOW RATE 1.67 gpm

MAX TEMPERATURE 100°F

SEDIMENT REDUCTION 0.5 MICRON

LEAD REDUCTION Up to 99%**

OVER ALL DIMENSIONS 16-3/8" H x 7-1/4" W x 4-1/4" D

NET WEIGHT 3 lbs

** Cartridges should be changed out every twelve months or when there is a reduction in water pressure. Filter life depends greatly upon water quality and volume usage. This product is for residential use only and must be installed and maintained according to manufacturers guidelines www.xoappliance.com or the warranty can be voided.

WARNING:
This product can expose you to chemicals including lead, which is known to the State of California to cause cancer. For more information, go to www.P65Warnings.ca.gov.

