

# XO SINK PRO NANOGRIND

MODEL XOD34HP  
CONTINUOUS FEED WASTE DISPOSAL

Comes with all these  
Features Included:

- Permanent Magnet 2850 RPM Motor
- Generates High Torque / Avoids Jams
- Stainless Steel Turntable & Cast Impellers
- Bio-guard Antimicrobial Protection
- Removable Splash Guard
- Factory Installed Molded Power Cord & Plug
- Precision Balanced
- Sound Insulation Shield
- XO QuickConnect Mount

## SEPTIC SAFE

Designed to handle  
Common Kitchen  
Food Waste Like:

Melon Rinds  
Small Bones  
Corn Cobs  
Nut Shells  
Fruit Pits  
Tea Leaves  
Coffee Grounds  
Fish Bones  
Egg Shells  
Grapefruit Halves  
Vegetable Scraps



**10** YEAR  
IN HOME  
WARRANTY

**XO** LOVE IT  
OR LEAVE IT  
100% GUARANTEED  
For 90 Days, all our products  
are backed by our unique  
Love It or Leave It Guarantee

# XO

the next level  
in luxury appliances

# XO SINK PRO NANOGRIND

MODEL XOD34HP

CONTINUOUS FEED 3/4 HP  
FOOD WASTE DISPOSAL

10 year in-home limited warranty

## The XO QuicKconnect System

ATTACH SINK FLANGE  
ASSEMBLY TO SINK



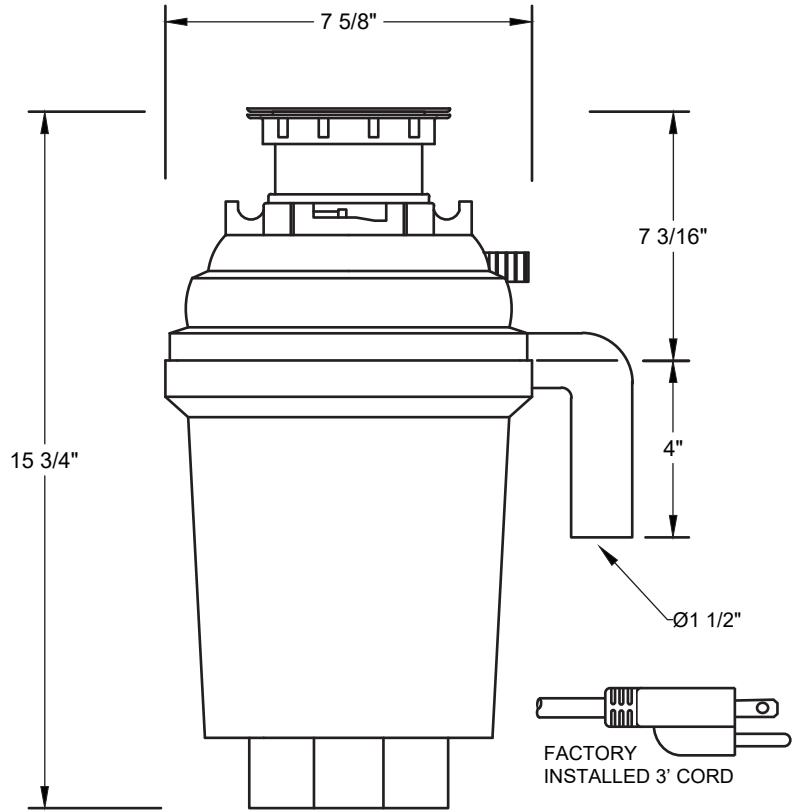
INSTALL THE  
DRAIN ELBOW  
IN THE DISPOSER



TWIST & LOCK  
DISPOSER TO SINK  
FLANGE ASSEMBLY



MAKE PLUMBING  
CONNECTIONS &  
PLUG IN POWER CORD



## POPULAR OPTIONS:

(continuous feed models / sold separately)



**PART #:**  
Mount Adapter  
Allows use with existing  
3 bolt flange hardware



**MODEL: XODAIRSWITCH**  
For Remote Operation

## SPECIFICATIONS

HP	3/4
Motor Type	Permanent Magnet
Feed	Continuous
Volts	120V
Amps	4.6 amps
Frequency	50/60Hz
Motor Speed	2850 RPM
Hopper Capacity	29oz
Balance Level	G0.4
Sink Flange	Stainless Steel
Stopper	Stainless Steel
Drain Elbow	ABS
Bearings	Permanently Lubricated, Sleeve Type
Manual Reset Protector	Protection for Overload and Temp.
Shipping Weight	13 lbs
Pallet Quantity	64pcs