

# XO

# SINK PRO NANOGRIND

## MODEL XOD1HPBF

BATCH FEED WASTE DISPOSAL

Comes with all these  
Features Included:

- Permanent Magnet 2850 RPM Motor
- Generates High Torque / Avoids Jams
- Stainless Steel Turntable & Cast Impellers
- Bio-guard Antimicrobial Protection
- Removable Splash Guard
- Factory Installed Molded Power Cord & Plug
- Precision Balanced
- Sound Insulation Shield
- XO QuickConnect Mount

### SEPTIC SAFE

Designed to handle  
Common Kitchen  
Food Waste Like:

Melon Rinds  
Small Bones  
Corn Cobs  
Nut Shells  
Fruit Pits  
Tea Leaves  
Coffee Grounds  
Fish Bones  
Egg Shells  
Grapefruit Halves  
Vegetable Scraps



**LIFE  
TIME**  
IN HOME  
WARRANTY

**XO** LOVE IT  
OR LEAVE IT  
100% GUARANTEED  
For 90 Days, all our products  
are backed by our unique  
Love It or Leave It Guarantee

# XO

the next level  
in luxury appliances



# XO SINK PRO NANOGRIND

MODEL XOD1HPBF

BATCH FEED 1 HP  
FOOD WASTE DISPOSAL

Lifetime in-home limited warranty

## The XO QuicKconnect System

ATTACH SINK FLANGE  
ASSEMBLY TO SINK



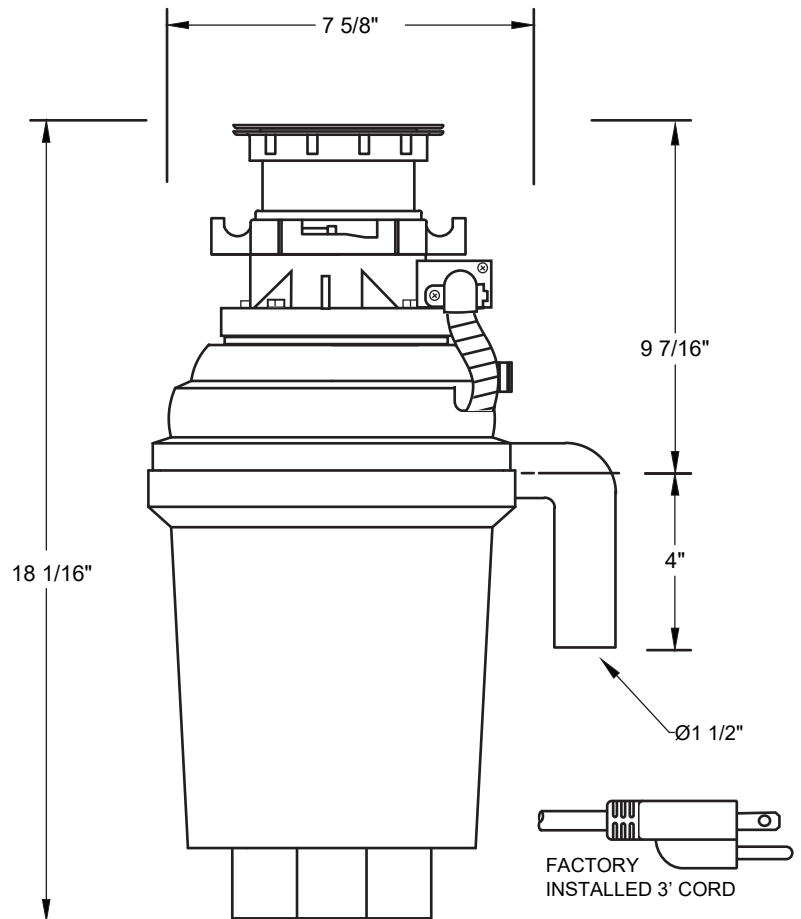
INSTALL THE  
DRAIN ELBOW  
IN THE DISPOSER



TWIST & LOCK  
DISPOSER TO SINK  
FLANGE ASSEMBLY



MAKE PLUMBING  
CONNECTIONS &  
PLUG IN POWER CORD



## SAFETY FEED GUARD

No remote switch  
required.  
Unit operates when  
the Safety Feed Guard  
is inserted into the  
drain and pushed down  
to activate



## SPECIFICATIONS

HP	1
Motor Type	Permanent Magnet
Feed	Batch
Volts	120V
Amps	6.3 amps
Frequency	50/60Hz
Motor Speed	2850 RPM
Hopper Capacity	29 oz
Balance Level	G0.4
Sink Flange	Stainless Steel
Stopper	Stainless Steel
Drain Elbow	ABS
Bearings	Permanently Lubricated, Sleeve Type
Manual Reset Protector	Protection for Overload and Temp.
Shipping Weight	13 lbs
Pallet Quantity	64pcs

XO Appliance - 24 Eisenhower Parkway - Roseland, NJ 07068  
(800)966-8300 [www.XOAppliance.com](http://www.XOAppliance.com)