



XOGV_S
1200 CFM EXHAUST HOOD

PUT SOME AWESOME IN YOUR BACKYARD



XOGV_S

- 304 Stainless steel exterior
- Two powerful blowers
- 33" depth - a must for proper capture
- Perfect for any grilling arrangement

POWERFUL PERFORMANCE

- Exhaust either vertically or horizontally through a 10-inch round duct
- Two powerful blowers capable of exhausting up to 1,200 CFM
- Four LED lamps brilliantly illuminate the cooking area
- Perfect for any grilling arrangement with top or rear discharge capabilities
- 33" depth (Most grill installs are 6" from non combustible wall)
- Seamless, hand-crafted welded edges ensure strength and durability
- 304 Stainless steel exterior is easy to keep clean and eliminates grease traps
- Commercial-grade, high luster baffle filters are attractive and long-lasting

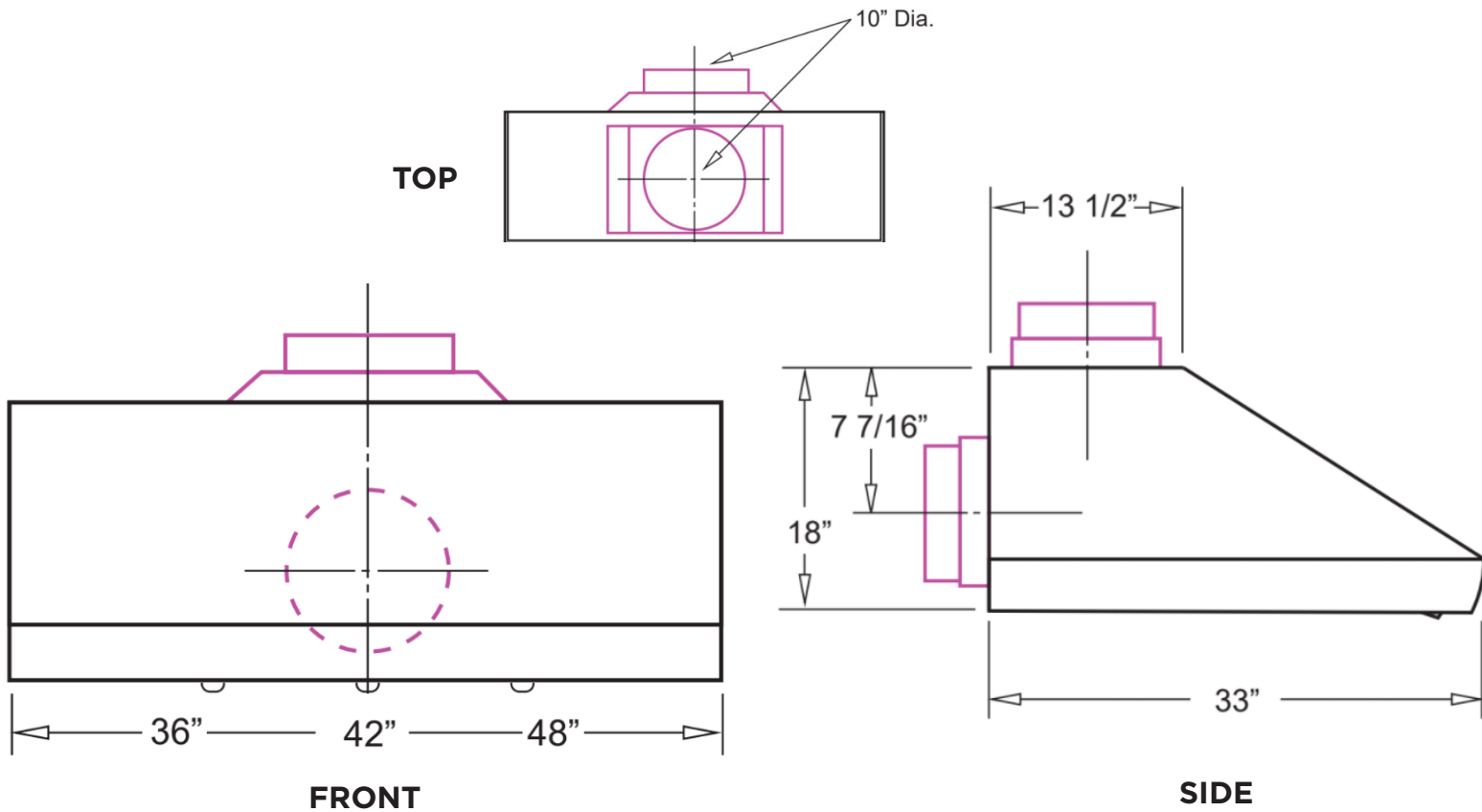
At XO, we believe that a good design is something everyone can afford

WORLD CLASS SERVICE | COMPREHENSIVE WARRANTIES

OUR LASTING COMMITMENT TO YOU



For 90 days, all our products are backed by our unique Love It or Leave It Guarantee*



FEATURES

FINISH

Stainless Steel

FEATURES

- Exhaust either vertically or horizontally through a 10-inch round duct
- Two powerful blowers capable of up to 1,200 CFM
- Four LED lamps brilliantly illuminate cooking area
- 33" depth - a must for proper capture (Most grill installs are 6" from non combustible wall)
- Seamless, hand-crafted welded edges ensure strength and durability
- 304 Stainless steel exterior
- Commercial-grade, high luster baffle filters

SPECIFICATIONS

ELECTRICAL 115VAC 60HZ 8.5 AMP

DIMENSIONS

H 18"

W 36", 42", 48"

D 33"

RECOMMENDED MOUNTING HEIGHT

ABOVE COOKING 30" - 42"

OPTIONS

- | | |
|-----------------------|--------------------|
| 36"Wx6"H Duct Cover | XOGV36X6DC |
| 42"Wx6"H Duct Cover | XOGV42X6DC |
| 48"Wx6"H Duct Cover | XOGV48X6DC |
| 36"Wx12"H Duct Cover | XOGV36X12DC |
| 42"Wx12"H Duct Cover | XOGV42X12DC |
| 48"Wx12"H Duct Cover | XOGV48X12DC |
| Telescoping 28"Wx55"H | XOGV28TELDC |
- (2 Sections for ceiling height up to 11.5 ft)

CLEARANCE TO COMBUSTIBLE CONSTRUCTION:

- If installed under any combustible construction the area above the cooking surface of the grill must be covered with an approved exhaust hood.
- It is highly recommended the hood be sized with a 3" overhang on all exposed sides.
- The exhaust hood shall provide no less than 1,200 CFM of proper exhaust ventilation.
- The exhaust hood must be approved for outdoor installation and used with a dedicated GFCI branch circuit.

