



XOU24BWDDGB

24" COMBO BEVERAGE CENTER
& WINE COOLER

LIFESTYLE REFRIGERATION



Shown with Optional Third Shelf Beverage Side

XOU24BWDDGB

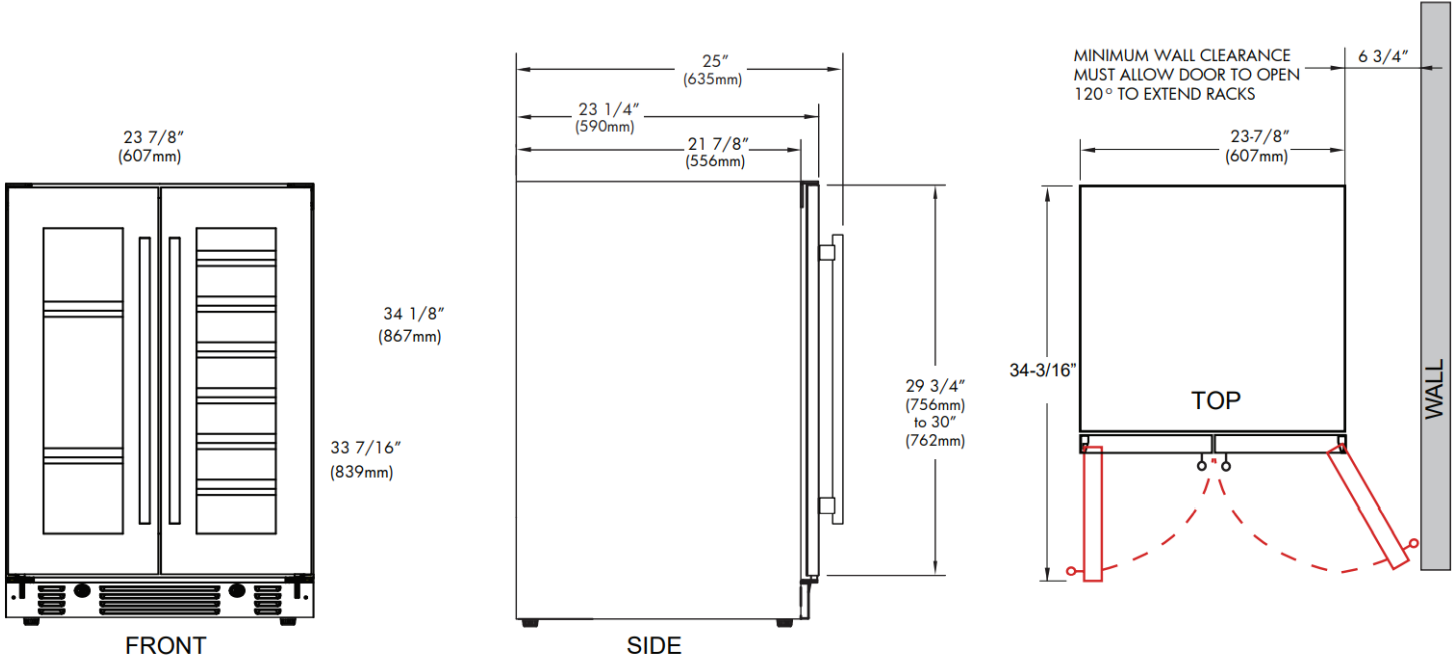
- Fully Extending Glass Shelves
- Tri-Color Interior LED Lighting
- Intuitive Digital Touch Controls for Two Temperature Zones

THE ULTIMATE IN CONVENIENT ENTERTAINING -YOUR FAVORITE VINTAGES AND ICY COLD BEVERAGES READY TO SERVE, JUST WHERE YOU WANT THEM

Your XO French Door Combo Unit has the ability to store both wine at 41° to 64° F ready to serve and icy cold beverages from 34° to 50° F in the same compact system. Designed to fit under a counter and where ever your life takes you.

WORLD CLASS SERVICE | COMPREHENSIVE WARRANTIES

OUR LASTING COMMITMENT TO YOU



FEATURES

CAPACITY

Shelves and racks extend halfway and hold:
 (49) 12oz cans at 34° to 50° F
 (21) 750ml bottles at 41° to 64° F

FEATURES

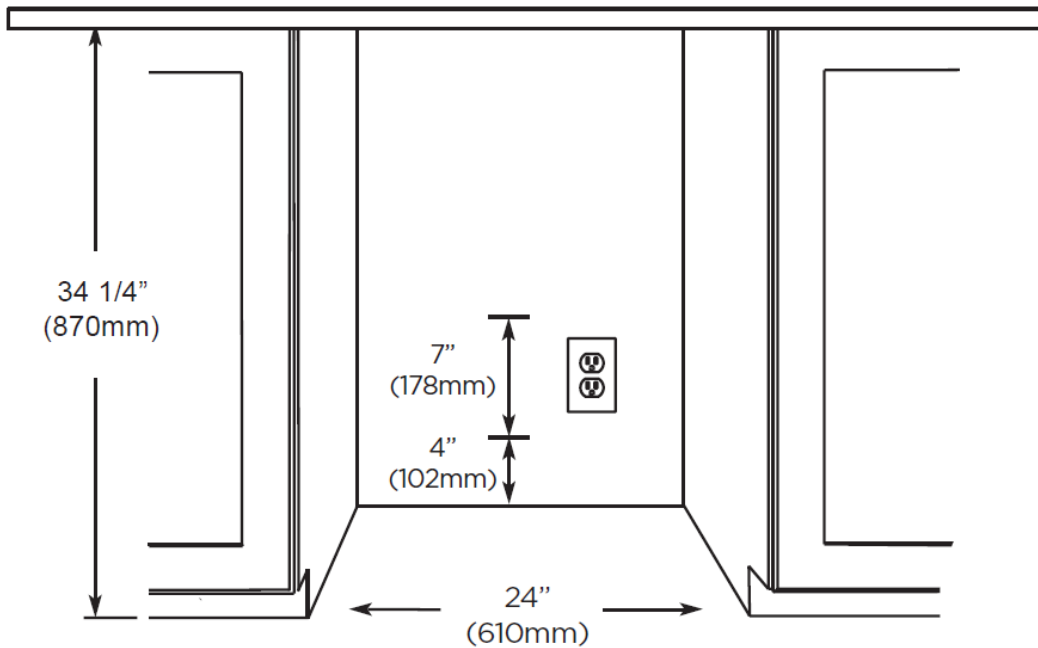
- Secure door lock
- 2 Styles of Handles Included
- Non- reversible door - specify right or left hinge
- Library quiet 39 dBA operation
- Elegant tri-color interior illumination
- Intuitive digital touch controls
- 6-1/2' Power Cord with low profile 90 flat plug
- Low E Glass blocks harmful UV light
- Alarm Functions
- Energy Saver and Sabbath Mode

SPECIFICATIONS

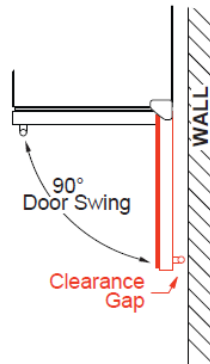
ELECTRICAL	120V 60HZ 4.35 AMP*
DIMENSIONS	H 34 1/8" W 23 7/8" D 23 1/4"
ROUGH IN	H 34 1/4" min W 24" D 24"
REFRIGERANT	R600A
WEIGHT	149 lbs



ROUGH IN DIMENSIONS



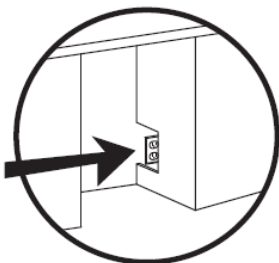
ALL XO UNDERCOUNTER UNITS ARRIVE PRE-WIRED WITH LOW PROFILE PLUGS FOR EASY INSTALLATION



WHEN INSTALLING WITH THE HINGE SIDE NEXT TO A WALL - LEAVE 1-3/4" CLEARANCE GAP FOR CABINET HANDLES

DOOR MUST BE ABLE TO OPEN A MINIMUM OF 90°.

NEED MORE SPACE - CUT INTO AN ADJOINING CABINET TO REACH AN OUTLET THERE



THE DOOR STOP IS SET AT 110° BUT CAN BE RESET TO 90° OR 140°.

IF THE DOOR CANNOT OPEN FULLY YOU CANNOT EXTEND THE SHELVES.

CONSULT THE MANUAL FOR INSTRUCTIONS ON CHANGING THE DOOR STOP SETTING.