



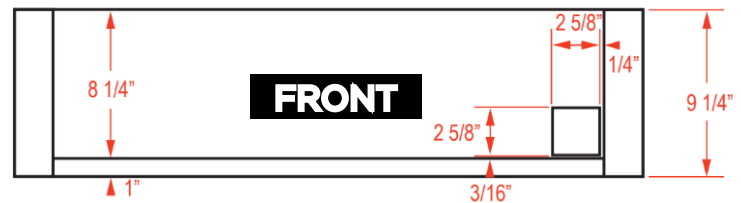
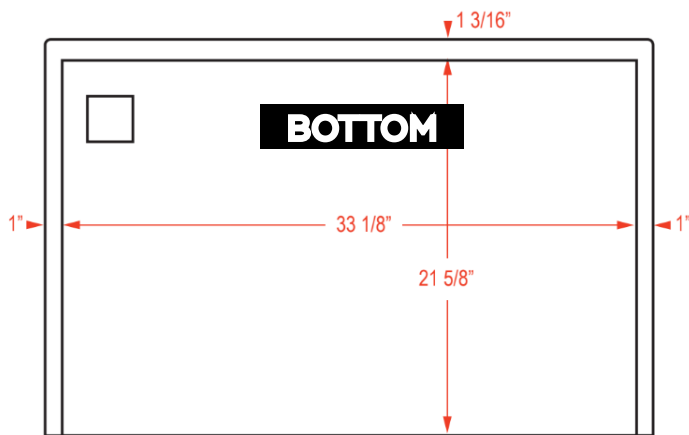
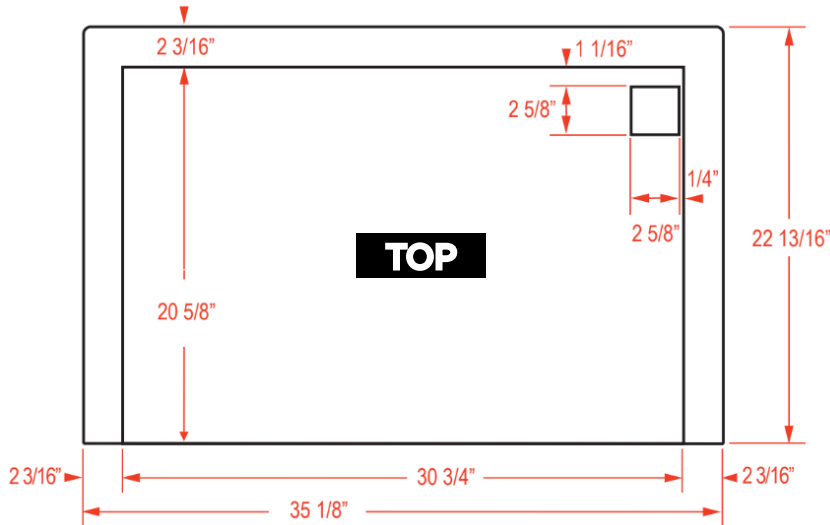
# XOG32JACKETXLT

STAINLESS STEEL INSULATED GRILL LINER

PUT SOME AWESOME IN YOUR BACKYARD

FOR USE WITH: XOGRILL32XLT

**WARNING:** Combustible Material may ignite if used without an insulated liner to protect it.



## FEATURES

- 304 Stainless Steel
- Seamless Construction
- Rear and Bottom Utility Access
- Insulates Cooking Appliance From Combustible Structures

## OVERALL / CUTOUT DIMENSIONS

OVERALL DIMENSIONS		
WIDTH	HEIGHT	DEPTH
35-1/8"	9-3//8"	22-7/8"



- Never install this product into a combustible enclosure without an insulated jacket. Doing so could result in fire, property damage and personal injury.
- Never locate the grill under a roof or overhang, in a building, garage, shed or other such enclosed area.
- Never locate the grill under unprotected combustible construction.
- Installation must conform with local codes or, in the absence of local codes, with either the National Fuel Gas Code, ANSI Z223.1/ NFPA 54, Natural Gas and propane Installation Code, CSA B149.1, or Propane Storage and Handling Code, B149.2, in Canada.



xoappliance.com | 800.966.8300

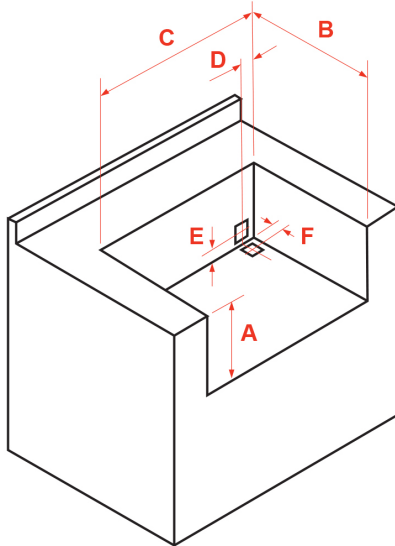


# XOG32JACKETXLT XOG40JACKETXLT

STAINLESS STEEL INSULATED GRILL LINER

PUT SOME AWESOME IN YOUR BACKYARD

## CUT-OUT DIMENSIONS:



Dimensions **D**, **E** and **F** define the center lines for 4" x 4" openings for the gas and electrical utilities to be brought in.

### CUTOUTS FOR GRILL NON COMBUSTIBLE CONSTRUCTION

	XOGRILL32XLT	XOGRILL40XLT
DIM A	8 1/2"	8 1/2"
DIM B	21 1/4"	21 1/4"
DIM C	30 5/8"	38 3/8"
DIM D	2 3/4"	2 3/4"
DIM E	2 3/4"	2 3/4"
DIM F	2 3/4"	2 3/4"

### CUTOUTS FOR INSULATED JACKET COMBUSTIBLE CONSTRUCTION

Use of an Insulated Jacket is Required

	XOG32JACKETXLT	XOG40JACKETXLT
DIM A	9 1/2"	9 1/2"
DIM B	21 7/8"	21 7/8"
DIM C	33 1/2"	40 3/4"
DIM D	3"	3"
DIM E	2 3/4"	2 3/4"
DIM F	3 5/8"	3 5/8"

Must conform with local codes or, in the absence of local codes, with either the National Fuel Gas Code, ANSI Z223.1/NFPA 54, or the Natural Gas and Propane Installation Code, CSA B149.1, or the Propane Storage and Handling Code, CSA B149.2, or the Standard for Recreational Vehicles, ANSI A119.2/NFPA 1192, and CSA Z240 RV Series, Recreational Vehicle Code, as applicable



xoappliance.com | 800.966.8300