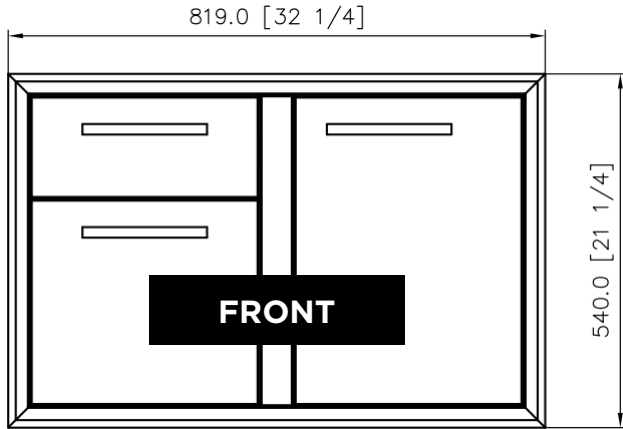




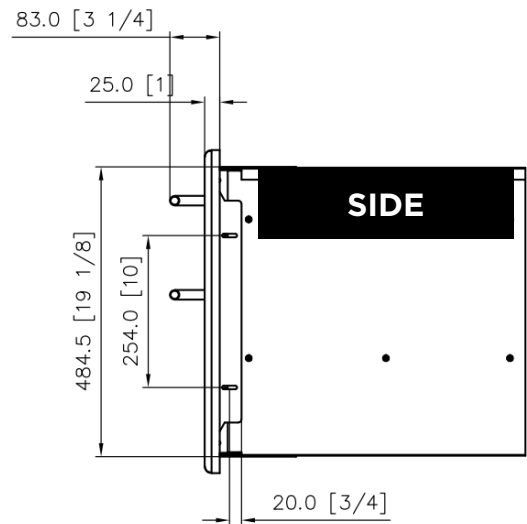
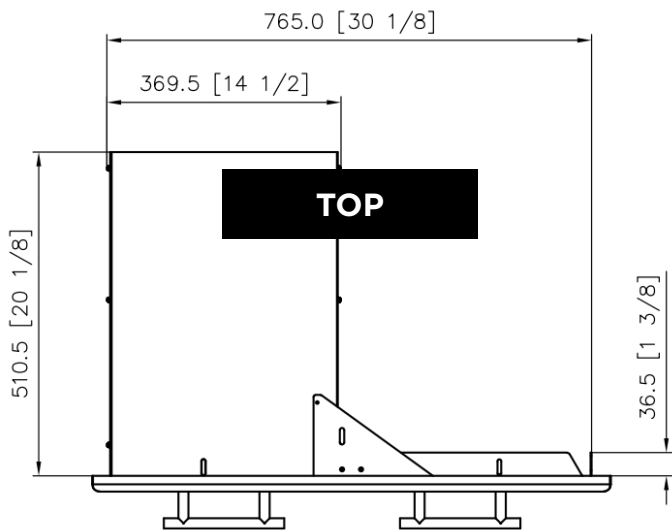
XOG32COMBOXLT

XLT DOOR + DOUBLE DRAWER

PUT SOME AWESOME IN YOUR BACKYARD



XOG32COMBOXLT



FEATURES

- Stainless Steel Construction
- Handles Included
- Provides Storage and Utility Access

OVERALL / CUTOUT DIMENSIONS

OVERALL DIMENSIONS		
WIDTH	HEIGHT	DEPTH
32 1/4"	21 1/4"	20 1/8"

CUTOUT DIMENSIONS		
WIDTH	HEIGHT	DEPTH
30 3/8"	19 3/8"	20 1/2"