

### BEFORE YOU BEGIN:

**NOTE:** Your XO Food Waste Disposer has been designed exclusively for residential use, for operation on 120V 60 Hz US household current only. Any other use will void warranty and may constitute a hazard.

**IMPORTANT:** Read All Instructions Thoroughly Before Installing or Using the Disposer.

**CAUTION:** Make Certain to Review Instructions Pertaining to RISK, FIRE, ELECTRIC SHOCK or PERSONAL INJURY Prior to Use.

### RECORD YOUR MODEL # & SERIAL NUMBER HERE:

\_\_\_\_\_  
\*MODEL #

\_\_\_\_\_  
\*SERIAL #

\*The above information appears on the label affixed to the bottom of the disposer.  
For your convenience, write down the model number and serial number prior to installation.

### IMPORTANT SAFETY INSTRUCTIONS

**WARNING:** When using electrical appliances, basic safety precautions must always be followed, including:

1. Use this appliance for its intended purpose only as described here in the manual.
2. Read all instructions prior to use.
3. To reduce the risk of injury, closely supervise children when the appliance is in use.
4. **NEVER** put hands or fingers into a waste disposer.
5. **Turn off power switch AND unplug power cord** before attempting to clear a jam or remove an object from the disposer.
6. When attempting to loosen a jam in a waste disposer, use a long wooden object such as the handle of a wooden spoon.
7. When attempting to remove objects from a waste disposer use only long handled tongs or pliers to avoid reaching in.
8. To reduce risk of injury by materials that may be expelled by a waste disposer, **NEVER put:** *Drain Cleaners, China, Glass, Plastic, Metal, Large Bones, Hot Grease, Hot Liquids or other hazardous materials* into the disposer.
9. When not operating the disposer - leave the stopper in place to reduce the risk of objects falling into the disposer.
10. **NEVER** operate the disposer without the splash guard in place.
11. The disposer **MUST be** properly grounded - see the ELECTRICAL CONNECTION section of this manual.
12. If the supply cord is damaged, it **MUST be replaced** by the manufacturer, its service agent, or an authorized person in order to avoid hazard.

## BEFORE YOU BEGIN

### ELECTRICAL CONNECTIONS:

If you are not familiar with electrical power and procedures, call a qualified electrician.

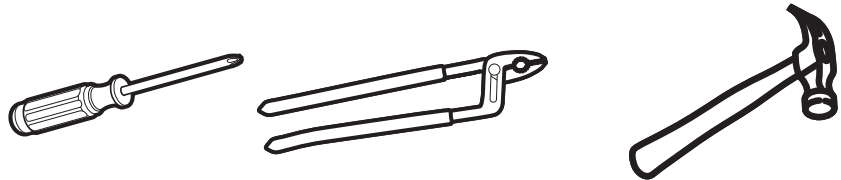
All electrical connections must comply with the National Electrical Code, Section 422 and/or local codes and ordinances.

**DANGER** Improper connection of the equipment-grounding conductor can result in a risk of electric shock. If in doubt, check with a qualified electrician or installer whether the appliance is properly grounded.

1. **Read** all these instructions completely and carefully.
2. **Save** these instructions for the local inspector's use.
3. **Observe** all governing codes and ordinances.
4. **Note To Installer:** Leave these instructions with the consumer.
5. **Note to Consumer:** Retain these instructions for future reference.
6. Installation of this appliance requires basic mechanical skills.
7. Completion time is approximately 1 hour.
8. Proper installation is the responsibility of the installer - product failure due to improper installation is not covered under warranty.

### YOU WILL NEED:

Philips & Flat Blade Screwdrivers  
Channel Lock / Slip Joint Pliers  
Hammer



### YOU MAY ALSO NEED:

Petroleum jelly or liquid soap  
Adjustable Pipe Wrench  
Plumbers Putty  
Flexible Drain Pipe  
Plumber's Snake

### FOR INSTALLATION WITH DISHWASHER:

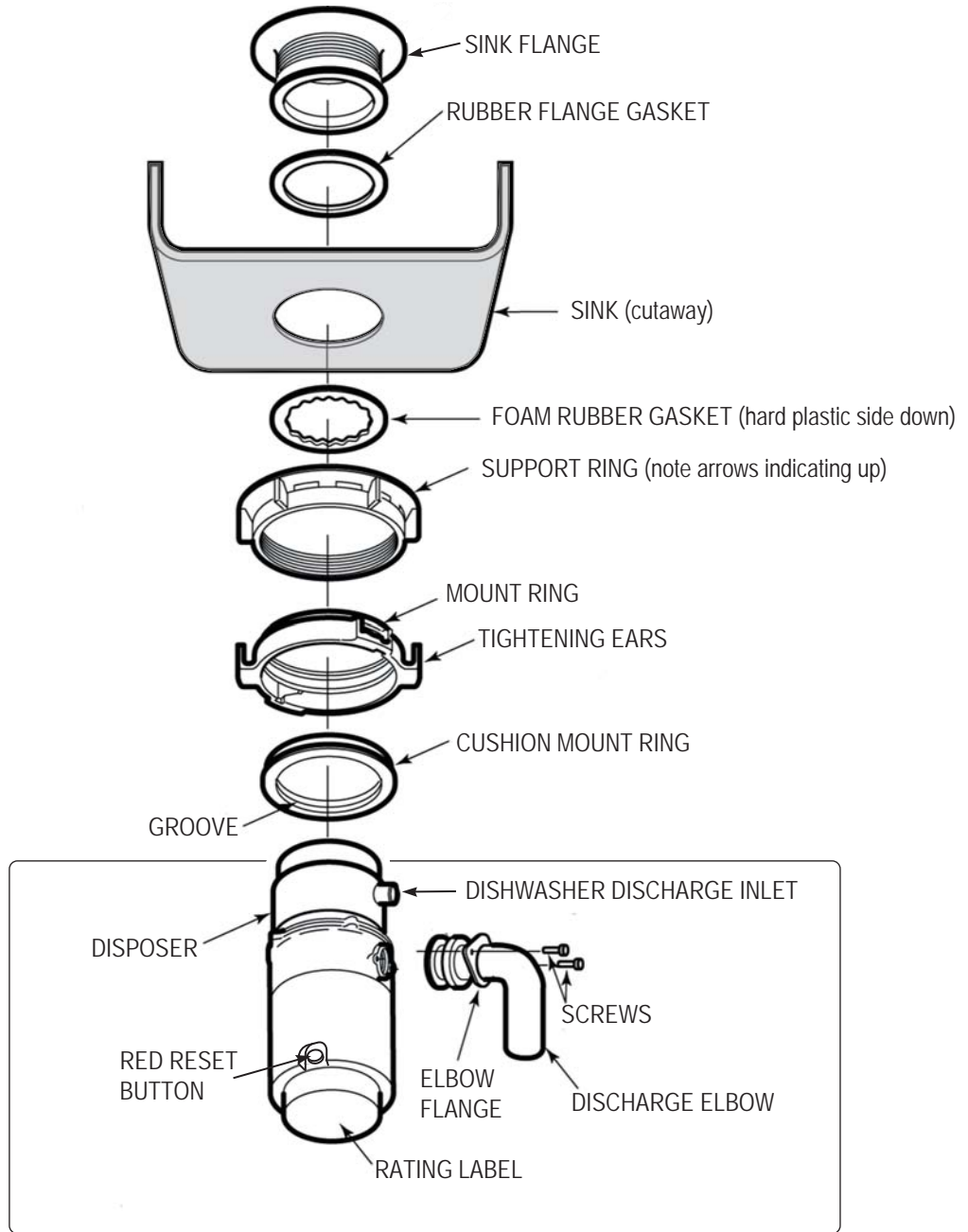
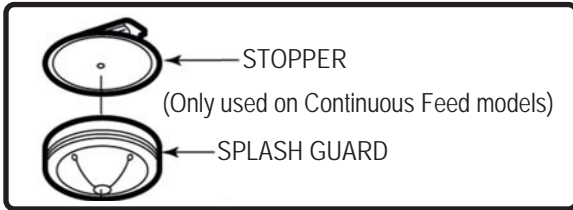
Punch or wooden dowel  
Hose clamp  
Dishwasher Drain Connector  
Stepped Rubber Drain Adapter

## 1. REMOVAL OF THE OLD UNIT

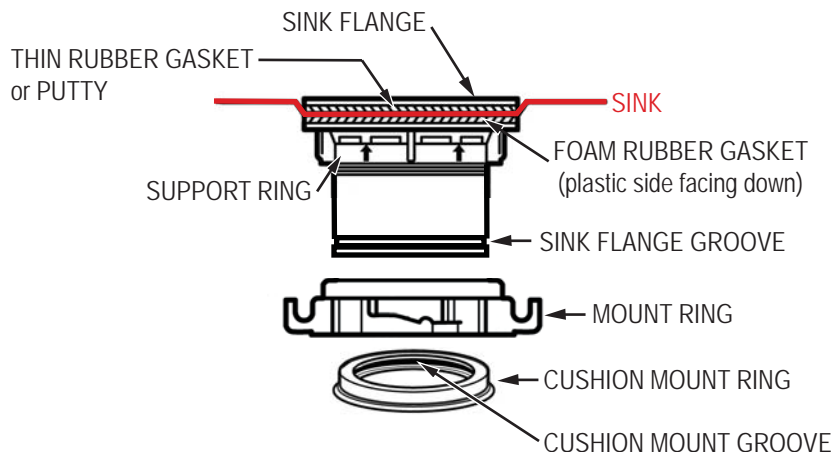
**BEFORE BEGINNING ANY WORK - TURN OFF ELECTRICAL POWER AT THE CIRCUIT BREAKER OR FUSE BOX AND UNPLUG THE OLD DISPOSER.**

1. Disconnect the drain line at the trap. (Water will be present in the trap)
2. Disconnect the old disposer & sink flange. (Support the disposer while removing so it does not fall)
3. Remove the sink flange and all old sealing materials from sink opening, top & bottom.  
(Sealing surfaces must be completely clean to avoid leaks)
4. Inspect drain line - use a Plumbers Snake to clear any hardened grease or accumulation of debris.

FAMILIARIZE YOURSELF WITH HOW THE DISPOSER ASSEMBLES



## HOW THE SINK FLANGE ASSEMBLES



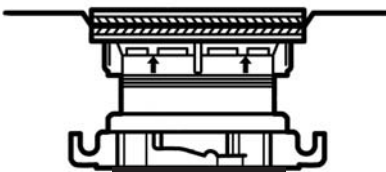
### AFTER ENSURING THAT THE SEALING SURFACE OF THE SINK IS COMPLETELY CLEAN:

1. Assemble the **Sink Flange** in the following order.
  - a. Disassemble the **Sink Flange** assembly from the disposer by rotating the **Mount Ring** clockwise.
  - b. Push the **Mount Ring** up and remove the rubber **Cushion Mount Ring**. Take a minute to see how the **Cushion Mount Ring** seats into the groove on the **Sink Flange**.
  - c. Unscrew the **Support Ring** from the **Sink Flange** and remove the **Foam Rubber Gasket** leaving the **Thin Rubber Gasket** in place. (The rubber gasket can be used instead of Plumbers Putty on Stainless Steel sinks. Cast sinks may require the use of putty to ensure a good seal)
  - d. **If putty is required to make a good seal, First remove the Thin Rubber Gasket** - apply a ring of putty around the underside of the **Sink Flange** and press firmly into place, squeezing the excess putty out around the edges.
  - e. **ONCE THE SINK FLANGE IS IN PLACE, DO NOT ROTATE** - This can cause leaks.
  - f. From underneath the sink install the **Foam Rubber Gasket** (plastic side facing down) around the **Sink Flange** and push it up snug against the sink.
  - g. With the arrows pointing up, thread the **Support Ring** in place and hand tighten compressing the **Foam Rubber Gasket** in place.

At this point it is advisable to insert the drain stopper and fill the sink with water to test for leaks.

- h. Place the **Mount Ring** over the **Sink Flange** and push it up as far as it will go.
    - i. While holding the **Mount Ring** in place, re-install the **Cushion Mount Ring**. The larger diameter portion of the **Cushion Mount Ring** should be at the bottom and the inside groove of the Ring should match up with the groove and lip at the bottom of the **Sink Flange**.

When you are done, the **Mount Ring** should sit on top of the **Cushion Mount Ring** and turn freely.

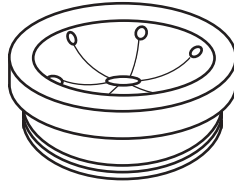


## OPTIONAL ACCESSORIES:

**MOUNT ADAPTOR:** Part # XODISEADAPTER

The **Mount Adaptor** is designed to help you retrofit three bolt mounting systems when the existing hardware will be re-used. It can only be used with **CONTINUOUS FEED** Disposers.

In this case after the old disposer is unbolted, the **Mount Adaptor** is bolted into place and the **Mount Ring** and **Cushion Mount** are used to connect the disposer following the installation instructions starting at STEP (h) on the opposite page.



**REMOTE AIR SWITCH:** Part # XODAIRSWITCH

The Remote Air Switch is a simple, reliable way to have a convenient activation switch next to the sink for your Disposer. Because the push button works using air pressure, it keeps electricity away from the area immediately around the sink, so it is inherently safer. It is only used with **CONTINUOUS FEED** Disposers.

The product is easily installed and comes with two different, popular button finishes to match your decor.

Simply install the **Push Button** through a hole drilled in the counter, mount the **Switch Box** proximate to the outlet and run a small **Air Tube** between the two. After you have finished your **Disposer** installation - plug the **Switch Box** into the outlet and the **Disposer** into the **Switch Box**. There is no internal re-wiring required.

### WHAT IS INCLUDED:

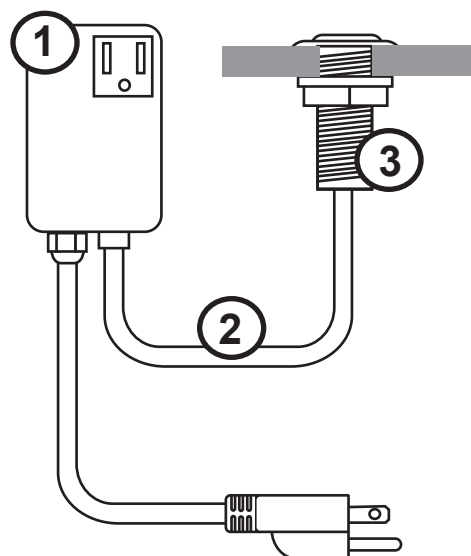
1. **Switch Control Box**  
(disposer plugs into box/box plugs into wall outlet)
2. **Air Tube** (connects switch & push button)
3. **Push Button** (mounts in counter)

INCLUDES TWO OF THE MOST  
POPULAR FINISH PUSH BUTTONS



Stainless Steel

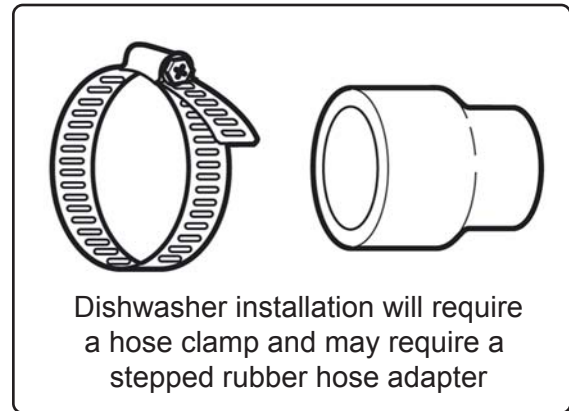
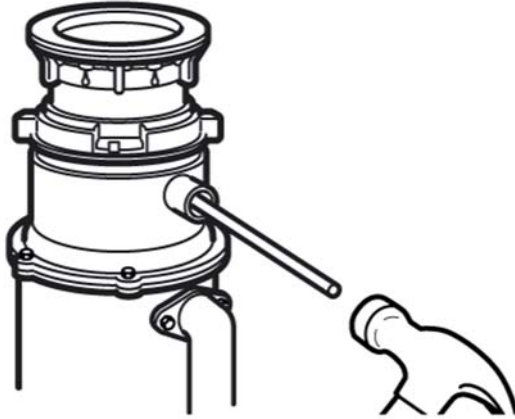
Bright Chrome



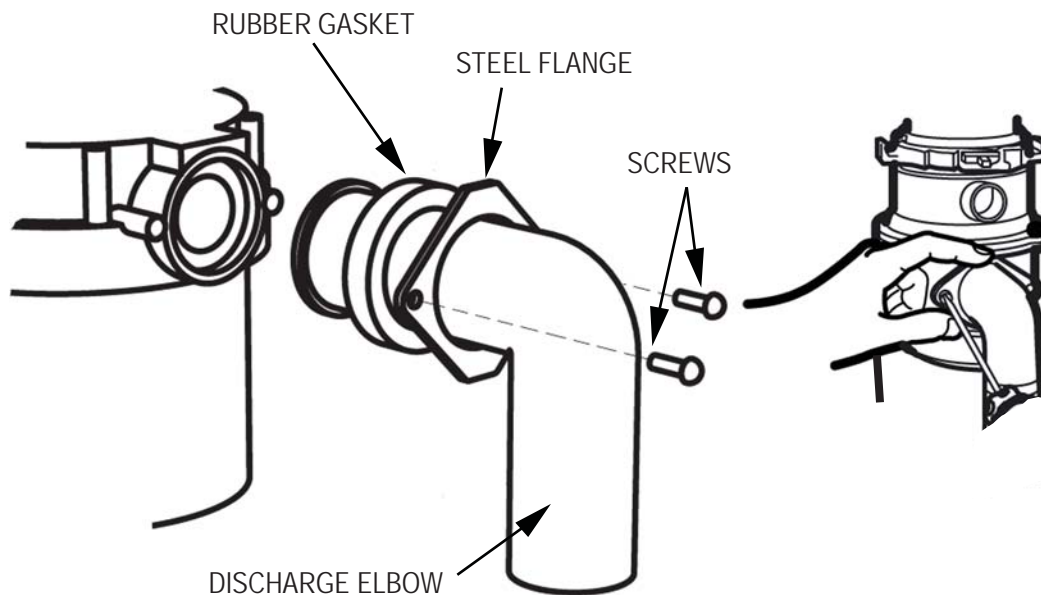
## PREPARE THE DISPOSER FOR INSTALLATION

### IF YOU ARE USING THE DISPOSER WITH A DISHWASHER:

1. Remove the knock out plug from the housing. Using a hammer and a blunt instrument such as a wooden dowel or a metal pin punch knock out the entire plug as shown. **DO NOT USE A SHARP TOOL**, such as a screwdriver. When the knock out plug falls into the disposer you may remove it or leave it to be ground up during operation. (This will not damage the disposer but it may take several operations to be ground up completely).

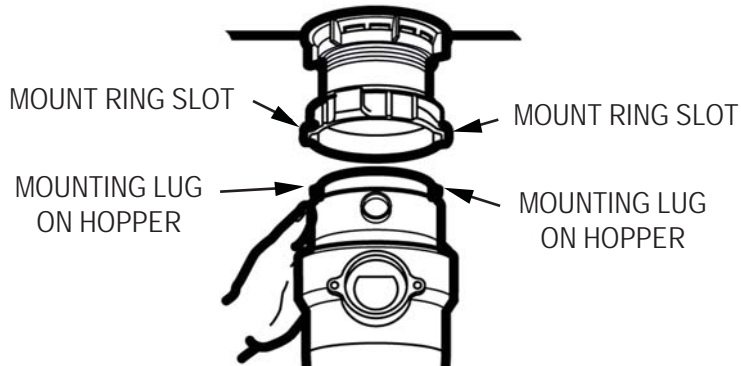


2. Attach the **Discharge Elbow**. Using the parts provided, slide the **Rubber Gasket** into place on the elbow and using the **Steel Flange** and **Two Screws**, fasten the **Discharge Elbow** in place.



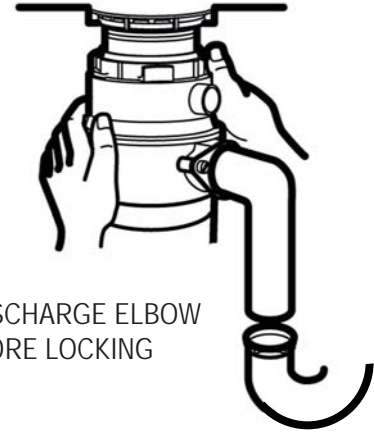
## CONNECTING THE DISPOSER TO THE SINK FLANGE

1. ATTACH TO THE SINK FLANGE. Lift the **Disposer** into place and rotate the **Mount Ring** until the slots in the **Mount Ring** line up with and drop over the lugs protruding from the hopper.
2. Rotate the **Mount Ring** approximately 1/4" to the right. This will hold the **Disposer** in place while allowing the **Disposer** to turn with the **Mount Ring**.

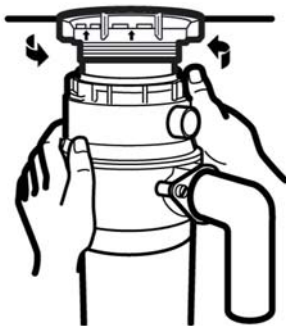


3. Rotate the Disposer with the Mount Ring to position the Discharge Elbow so that it lines up with the outlet drain trap.

ALIGN DISCHARGE ELBOW  
BEFORE LOCKING

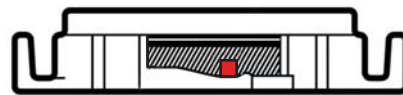


4. LOCK THE MOUNT RING. Once the disposer is positioned to line up with the drain, using the ears on the Mount Ring rotate the Ring to the right (counterclockwise) until the lugs are seated at the extreme left hand side of the Mount Ring Slots. If they are difficult to turn, use a small amount of petroleum jelly or dishsoap to lubricate the lugs.



### MOUNT RING DETAIL

#### LUG IN UNLOCKED POSITION



#### LUG IN LOCKED POSITION



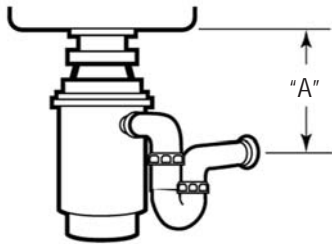
5. Connect the Discharge Elbow to the drain trap and the dishwasher discharge hose (if applicable) to complete the plumbing connections and run water to check for leaks. Repeat inspections for leaks for the initial 24 hours of operation.

## COMMON INSTALLATIONS

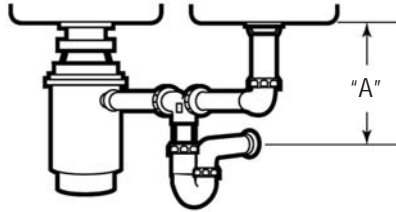
It is essential for proper operation that the Disposer drain completely when not in use. For that reason, minimum distances "A" between the bottom of the sink and the drain outlet must be maintained.

**BATCH FEED MODELS - minimum height clearance 10"**

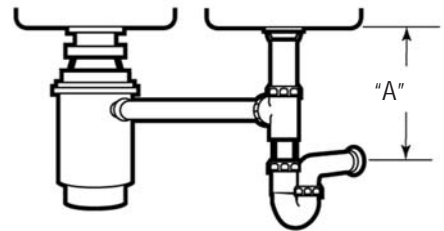
**CONTINUOUS FEED MODELS - minimum height clearance 8"**



SINGLE BOWL

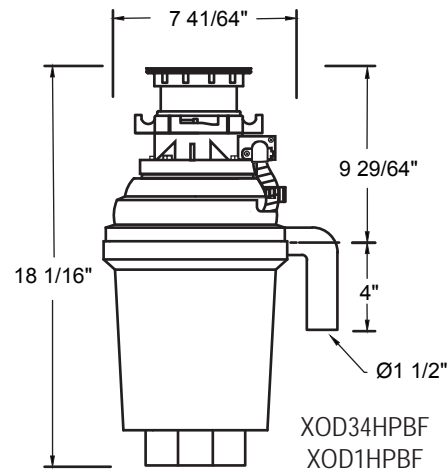
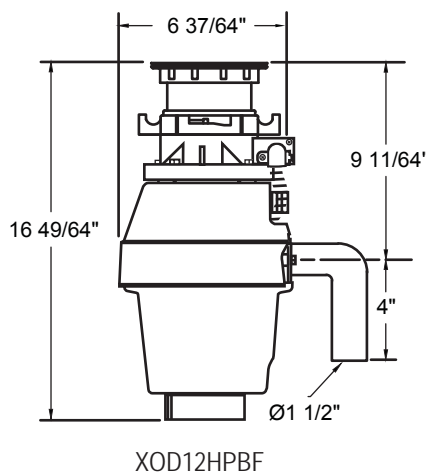


DOUBLE BOWL  
CENTER OUTLET

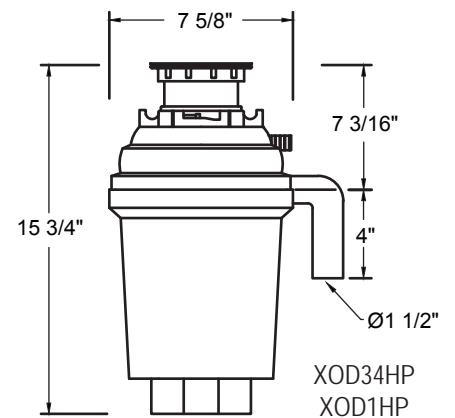
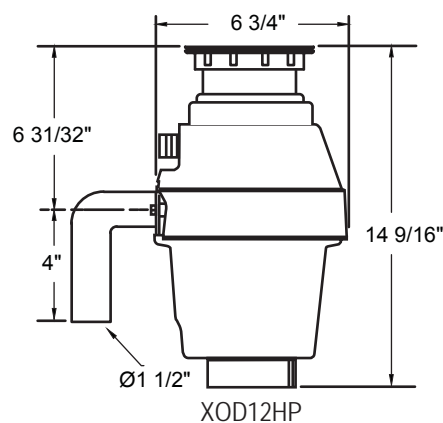
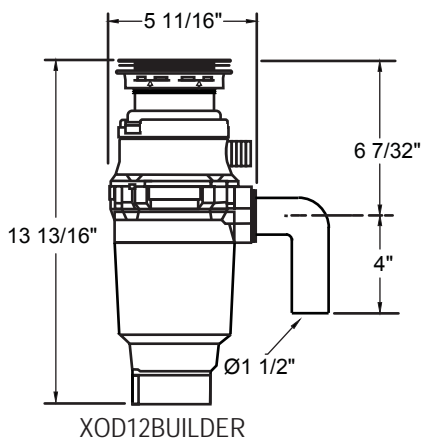


DOUBLE BOWL  
END OUTLET

## BATCH FEED MODEL DIMENSIONS



## CONTINUOUS FEED MODEL DIMENSIONS





## OPERATION - CONTINUOUS FEED DISPOSERS

1. Remove the sink stopper and turn on a medium flow of cold water.
2. Turn the switch "ON".
3. Scrape in food waste.
4. Disposal process can be speeded up by breaking up larger bones, cobs and rinds. Large bones, fibrous husks and similar waste may be more easily disposed of as trash.
5. During grinding, the Disposer motor may slow down. This is normal. As the disposer slows down, torque (power to grind) increases.
6. After grinding allow the cold water to run for 15 to 30 seconds to ensure that waste is flushed through the trap and down the drain.
7. **DO NOT USE HOT WATER.** Cold water helps keep fats solid so they are readily flushed down the drain.

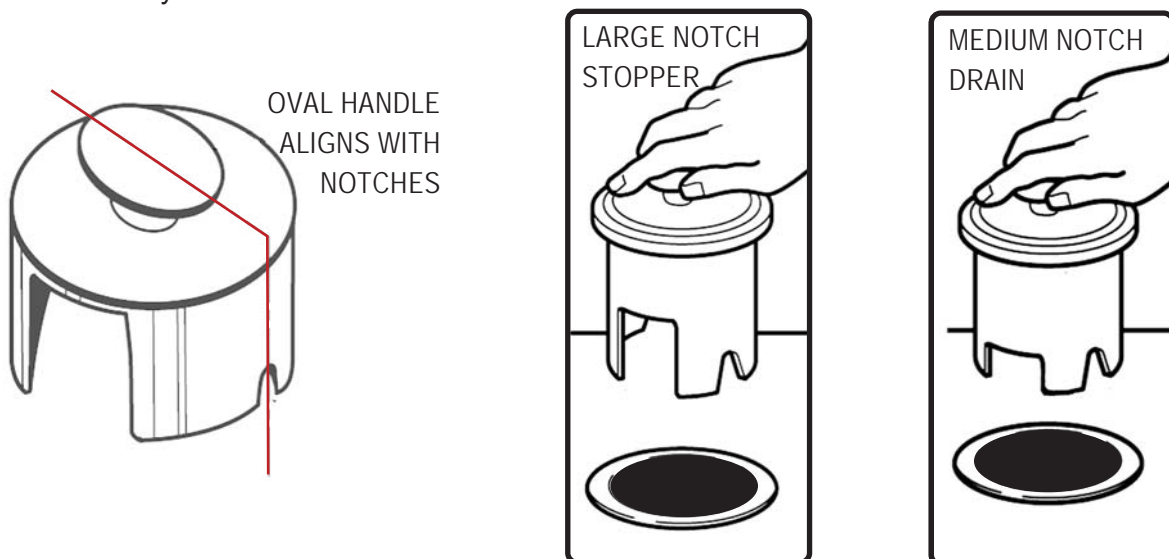
## OPERATION - BATCH FEED DISPOSERS

1. Remove the **Safety Feed Guard** that doubles as a sink stopper and turn on a medium flow of cold water.
  2. Scrape in food waste.
  3. Insert the **Safety Feed Guard**, aligning the two smaller notches with the plunger switch mounted inside the drain opening of the Disposer.
- (NOTE: The oval shaped handle is molded to indicate the location of the notches)**
4. Push the **Safety Feed Guard** down firmly to start the Disposer.
  5. Run the Disposer for 15 to 30 seconds after grinding stops to ensure that all waste is flushed through the trap and down the drain.
  6. Lift the **Safety Feed Guard** to stop the Disposer.

### IMPORTANT NOTE:

**The Safety Feed Guard has 4 notched sections in it.**

Two small notches which are used to operate the Disposer, as well as a large cut out and a medium cut out. Placing the large cut out over the plunger switch allows the **Safety Feed Guard** to act as a stopper to seal the drain so that the sink can be filled. The medium sized cutout will allow the **Safety Feed Guard** to be partially inserted so that the sink may drain but it will prevent foreign material from being dropped into the Disposer accidentally.



## CARE & MAINTENANCE

### TIPS FOR SUCCESSFUL OPERATION:

1. Be sure the disposer is empty before running dishwasher for proper drainage.
2. Leave stopper in when not in use to prevent foreign objects from falling into the disposer.
3. Non Food items such as plastic, glass, metal, clam/oyster shells, rubber, string, feathers, china, leather, cloth, etc. will not grind and can cause jamming or damage or personal injury.
4. **DO NOT ATTEMPT TO LUBRICATE YOUR DISPOSER.** The motor is permanently lubricated and sealed.
5. The disposer is self scouring. To remove odors, grind lemon rinds or ice cubes sprinkled with scouring powder.
6. **NEVER PUT LYE OR DRAIN CLEANERS INTO A DISPOSER.**
7. Mineral deposits may cause minor discoloring but the stainless steel components will not rust in normal use.
8. Some food items such as poultry or fish skin which are thin and flexible do not grind well and can stick.

## TROUBLESHOOTING

An **UNUSUAL LOUD NOISE** is generally the result of a foreign metal object in the disposer - switch off and unplug before removing the object with long handled tongs.

**NEVER reach into a disposer with your hand.** Replace the splash guard afterward.

**LEAKS** are generally the result of an improperly tightened or misaligned seal.

If the **UNIT DOES NOT START:** Switch off and unplug, first.

Remove splash guard and using a long wooden spoon or broom handle see if the turn table rotates freely.

If it turns easily, check to see if the red reset button has tripped, push it in.

If it has tripped it should click and remain depressed.

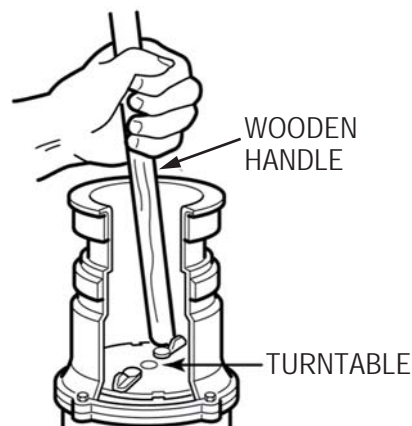
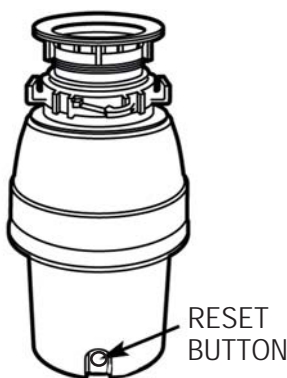
If the table does not turn, see if a foreign object is lodged.

Pry it free with a long wooden spoon, or wooden handle - then remove it using long handled tongs.

Replace the splash shield.

If the unit does not turn and no foreign object is present the unit may have an internal problem.

Seek help, never disassemble a disposer.



## WARRANTIES

In addition to the best warranties in the industry XO products are backed by our unique 90 Day Love It or Leave It warranty.



**ALL 1 HP DISPOSERS ARE WARRANTIED FOR LIFE**



**ALL 3/4 HP DISPOSERS ARE WARRANTIED FOR 10 YEARS**



**ALL 1/2 HP DISPOSERS ARE WARRANTIED FOR 5 YEARS (except Builder models)**



**BUILDER MODELS ARE WARRANTIED FOR 3 YEARS**



What is not covered -  
Damage resulting from accident, fire, flood or acts of God.  
Incidental or consequential damages.  
Failure do to misuse or if used commercially.

# THANK YOU FOR CHOOSING XO

IF YOU LIKE OUR DISPOSERS, YOU'LL LOVE OUR KITCHEN VENTILATION

**INNOVATION, TOP DESIGN,  
ADVANCED TECHNOLOGY, CREATIVE THINKING,  
WITH EXTRAORDINARY CUSTOMER SERVICE**

**XO is more than a brand. XO is a customer experience.**

We decided to develop a new company which truly believes in providing customer satisfaction. From beginning to end XO will deliver more.

All XO quality products are backed by an unmatched and comprehensive warranty program.

Problems happen, they always do. It could be a dent while handling, a defective part or an improper installation. Don't worry XO will be there to help resolve the issue. Your total satisfaction is our main concern.

We believe in extraordinary customer service with a personal touch. We are putting into practice our vision of becoming the most innovative, customer oriented Appliance Company in the world.



YOU CAN SEE  
OUR COMPLETE LINE OF  
KITCHEN VENTILATION AT  
[WWW.XOVENTILATION.COM](http://WWW.XOVENTILATION.COM)



For 90 days, all our products are backed by our unique Love It or Leave It Guarantee



[www.xoappliance.com](http://www.xoappliance.com)